



+27 21 5517496



sales@ultra-flow.com



www.ultra-flow.com



## Pulsarlube E

### Reliable

- Less dispensing variation against ambient temperature due to inert Nitrogen gas generation

### Economical

- Provides low cost lubrication without compromising performance

### Eco-Friendly

- Eco-friendly product
- Applicable parts can be disposed of separately

### Simple Operation & Installation

- Various dispensing settings
- Easy to adjust dispensing periods
- Easy to install in confined and hazardous areas



Automotives, motors & pumps



Food processing plants & paper mills



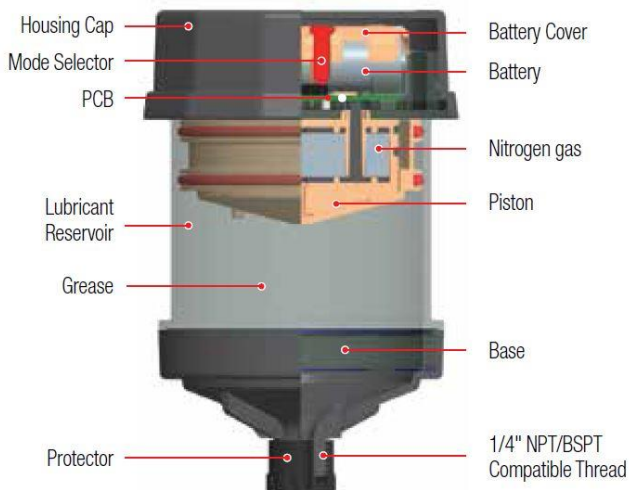
Steel mills, petrochemical plants & cement plants



### Settings



### Specifications



#### Grease Capacity

60ml/120ml/240ml

#### Gas Type

Nitrogen(N<sub>2</sub>) gas

#### Gas Generating Method

Electrochemical reaction

#### Operating Pressure

Max. 5kgf/cm<sup>2</sup> (70psi)

#### Operating Temperature

20°C~55°C (-4°F~131°F)

#### Dispensing Periods

1, 3, 6, 9, 12 month

#### Product Certifications & IP Code

ATEX / UL / IECEx / KCs / CE / IP68

#### Remote Installation

Max. 1m (3ft) with Ø8mm tube