



**ultra-flow**



+27 21 5517496



sales@ultra-flow.com

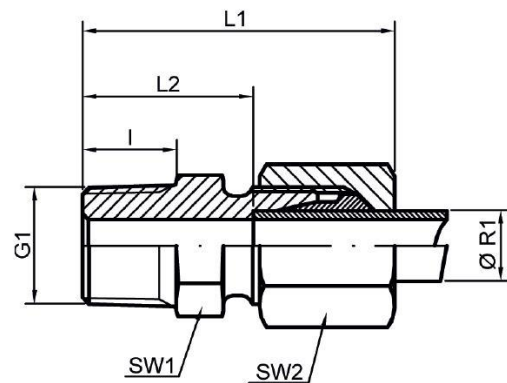


www.ultra-flow.com

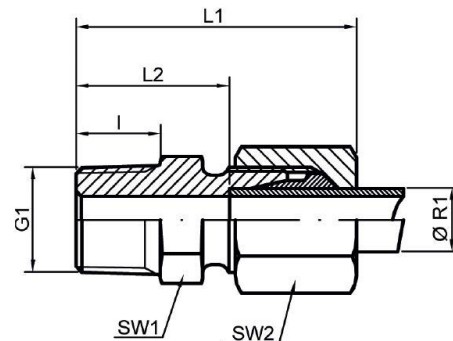


**FITTINGS AND ACCESSORIES**

**STRAIGHT COMPRESSION**

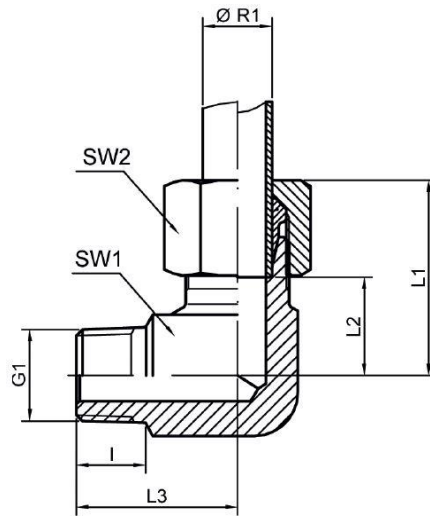


MODEL	MATERIAL	G1	PN	ØR1	I	SW1	SW2	L1	L2
GE6LLM6X1	MS	M6X1	100	6	8	11	12	26	14.5
GE6LLM8X1	MS	M8X1	100	6	8	11	12	26	14.5
GE6LLR1/8	MS/SS	R1/8	100	6	8	14	14	27.5	16
GE6LR1/4	MS	R1/4	315	6	12	14	14	35	20
GE8LLR1/8	MS	R1/8	100	8	8	12	14	28	16.5
GE8LR1/4	MS	R1/4	315	8	12	17	17	35	20



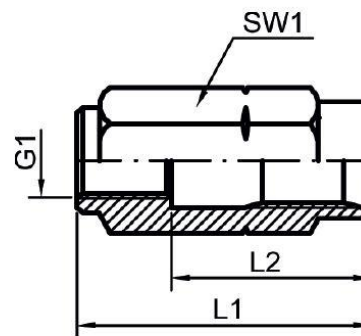
MODEL	MATERIAL	PN	ØR1	SW1	SW2	L1	L2
G6LL	MS	100	6	11	12	32	9
G8LL	MS	100	8	12	14	35	12

## ELBOW COMPRESSION



MODEL	MATERIAL	G1	PN	ØR1	I	SW1	SW2	L1	L2	L3
WE6LLM6X1	MS	M6X1	100	6	8	11	12	22	9.5	17
WE6LLM8X1	MS	M8X1	100	6	8	11	12	22	9.5	17
WE6LLR1/8	MS	R1/8	100	6	8	11	12	22	9.5	17
WE6LR1/4	MS	R1/4	315	6	9.5	12	14	28.5	14	26
WE8LLR1/8	MS	R1/8	100	8	8	12	14	23	11.5	17

## THREADED SLEEVE

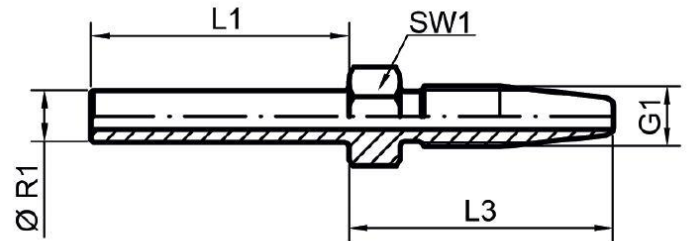


MODEL	MATERIAL	G1	I	SW1	L1	L2
UF002-001	MS/SS	M7X0.75	8	12	28	19

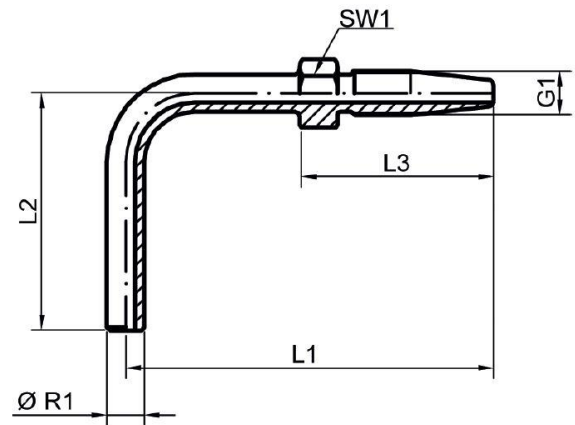
## HOSE STUDS



UF002-002



UF002-003

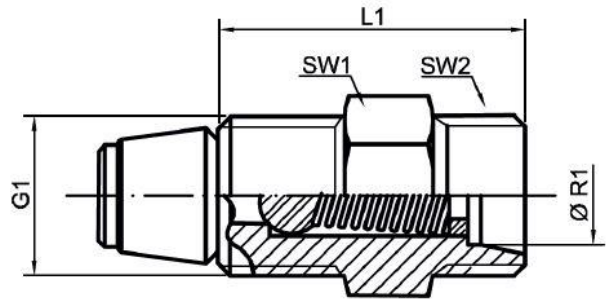


MODEL	MATERIAL	G1	DN	ØR1	SW1	L1	L2	L3
UF002-002	MS/SS	M7X0.75	4	6	10	18	X	31
UF002-003	MS/SS	M7X0.75	4	6	10	43	21	31

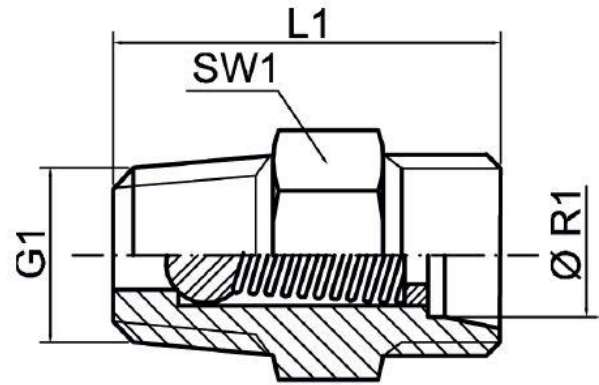
## OUTLET FITTING ASSEMBLIES



UF002-004A

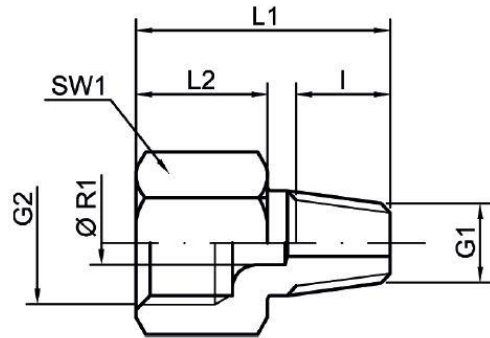


UF002-004B



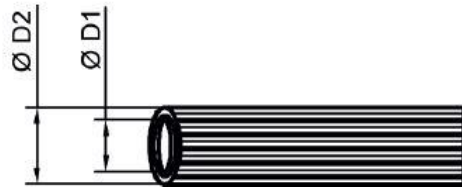
MODEL	MATERIAL	G1	ØR1	SW1	SW2	L1
UF002-004A	MS/SS	M10X1K	6	11	12	33
UF002-004B	MS	M10X1K	6	11	12	29

## EXTENSIONS

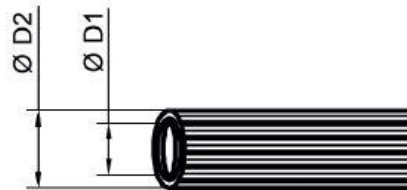


MODEL	MATERIAL	G1	G2	ØR1	SW1	L1	L2	I
25MM	MS/SS	R1/8"K	R1/8	X	14	25	12	6.5
35MM	MS/SS	R1/8"K	R1/8	X	14	35	12	6.5
45MM	MS/SS	R1/8"K	R1/8	X	14	45	12	6.5

## POLYAMIDE TUBING



MODEL	DN	D1	D2	BAR
UF005-001	4	4.0	8.6	840



MODEL	DN	D1	D2	BAR
UF005-002	6	3.0	6	270